

**BRINKMANN™ LOW PRESSURE DIRECT DRIVE CENTRIFUGAL FAN MODEL DD400mm.**

*(Belt Driven RN400 Model, Optional)*

**Note:** Fan selection is based on a calculation that considers air volume i.e. size of fume cupboard or hood or room and also takes into consideration the ducting and bends required to exit the fumes, gas or contaminated air. Please consult us.

**APPLICATION**

Brinkmann™ Centrifugal Fans have been designed for duct mounting and provide utmost reliability wherever toxic and corrosive gases or contaminated air is to be handled. Constructed from corrosion resistant materials, they are designed for long service and economy, have a low noise level and are easily maintained. An integrated extraction system is an essential component of a Fume Cupboard Management System.

**CONSTRUCTION**

*Fan Housing 400mm Ø:*

Compression moulded in PVC and includes a drainage point for moisture build-up. (Discharge point adjustable).

*Impeller / Rotor:*

One piece 36 blade polypropylene rotor, complete with labyrinth seal, coverplate, and is statically and dynamically balanced. The injection moulding process used produces a optimum disc and blade resulting in high performance with extremely low noise levels. These polypropylene rotors are 50% of the weight of their steel equivalents and hence produce better acceleration characteristics and lower operating torque.

*Electric Motor :*

The DD400 fan is powered by a Brook Hansen three / or single phase power. The motor rating is matched to airflow requirement.

*Wiring:*

Wiring of power source and commissioning by Electrical Contractor. **(Note: Wiring diagrams are available).** Fan supplied with a fitted, inbuilt isolation switch.

*Stand:*

Housing and motor are mounted on a galvanised steel frame with anti-vibration mounts.

*Net Fan Weight:*

DD400: 65Kg.

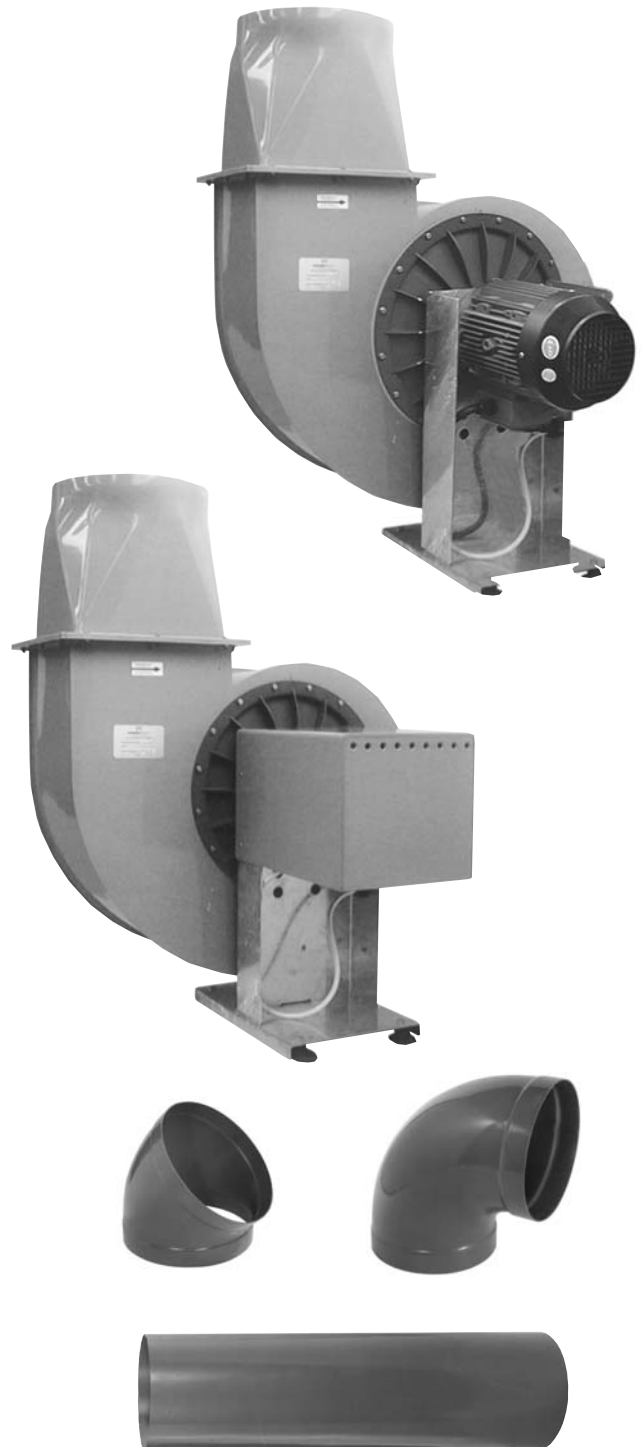
*Ducting System:*

An integral system to be manufactured to match finished ceiling height and external height requirement. Made up from grey PVC Ø400mm 45° / 90° bends and per metre PVC straights. Also includes ceiling ring and discharge cowl.

*Site Installation:*

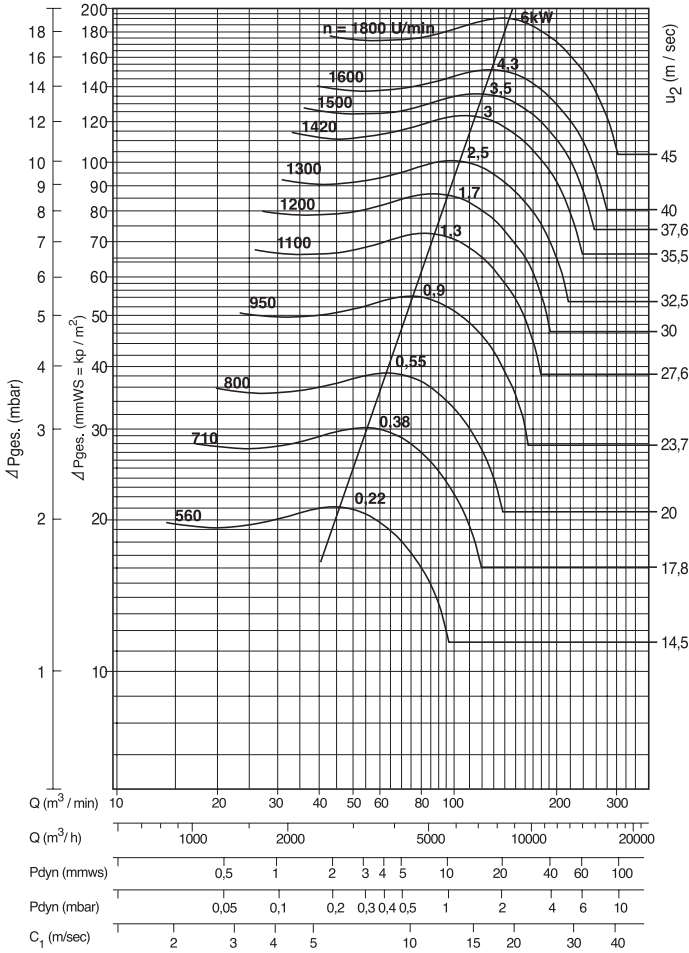
By Thermoplastic Engineering or separate contractor, **(Note: Roof flashing by plumber and fan to be positioned on a support stand by building contractor).**

An optional Stainless Steel fan stand constructed from 50mm x 3mm Stainless Steel can be manufactured to order, depending upon the slope of the roof.

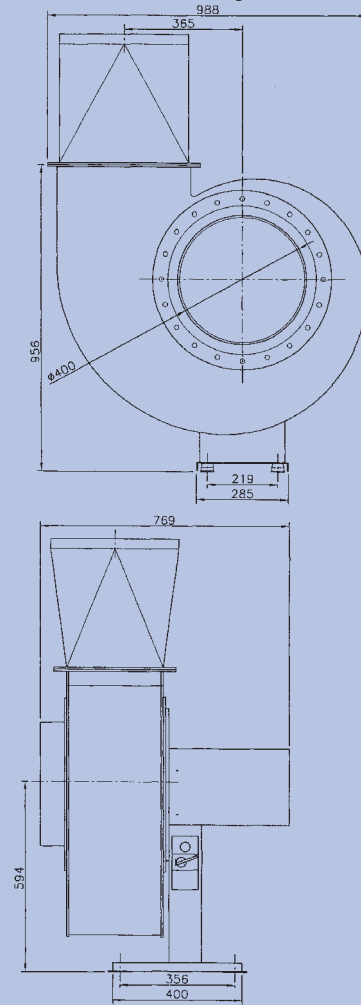


**DD400 / RN400 Low Pressure Centrifugal Fan Characteristic Curves**

1 mbar (Millibar) = 100 N/m<sup>2</sup> (Newton-Meter) = 100 Pa(Pascal)  
 1 mm ws = 0,09807 mbar (Millibar)

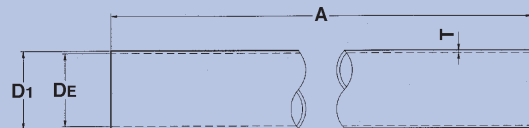


**DD400 Low Pressure Centrifugal Fan Dimensions**



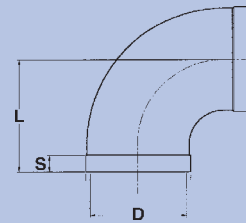
**400 Diameter Ducting Dimensions:**

Size	A	D1	DE	T
400	5000	400	392	4



**400 Diameter Duct Elbows-90° Dimensions:**

Size	D	L	S
400	400	400	40



**400 Diameter Duct Elbows-45° Dimensions:**

Size	D	L	S
400	400	130	40

